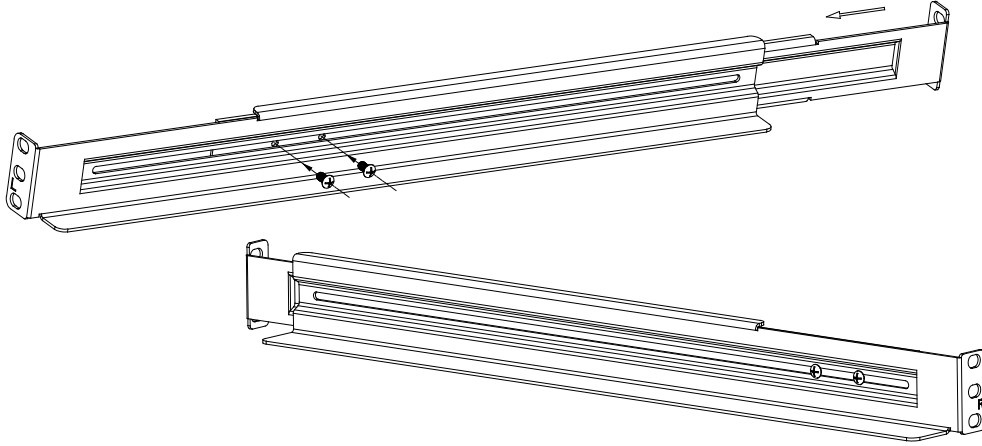
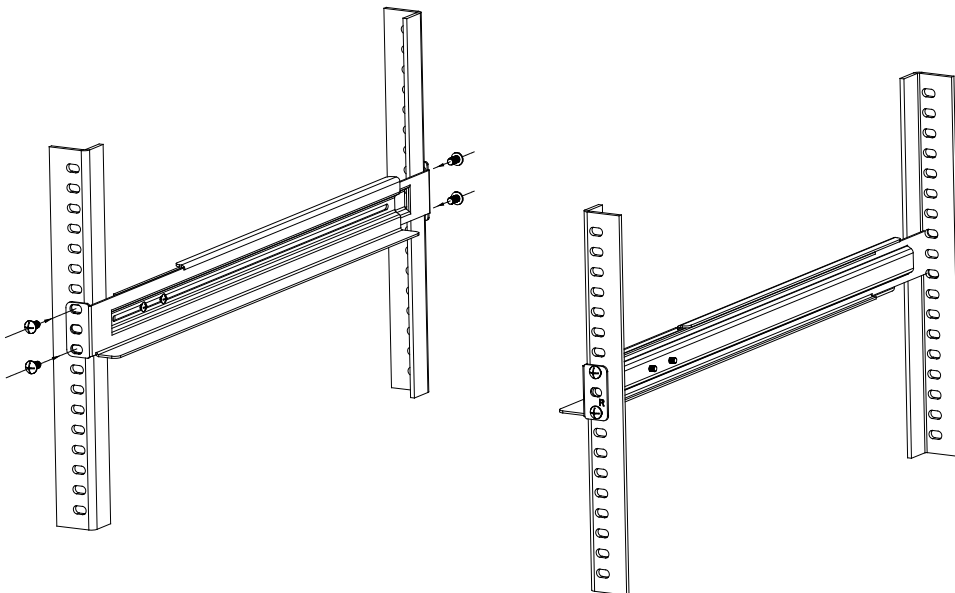


3000VA(optional)

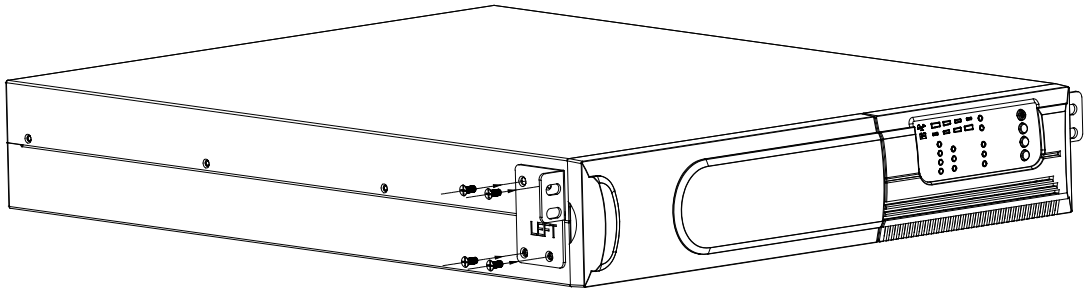
1. Align rack-mounting rails, and fixed them with screws provided. In order that rack-mounting rails can glide, the two screws don't lock close.



2. Install rack-mounting rails with the screws provided tightened up into rack enclosure.



3. Insert left ear and right ear on the UPS.



4. Insert UPS into the slide assemblies and lock it in the rack enclosure.

