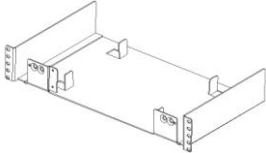




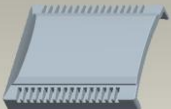


INSTALLATION

10. Rack-Mount Setup

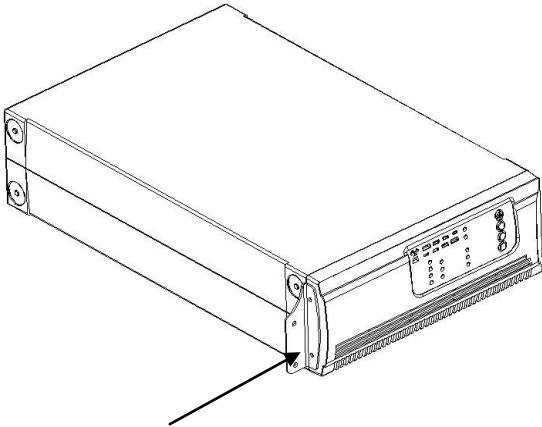
750/1000/1500/2000VA(optional) and 3000VA can be installed in 19" racks. The UPS and external battery enclosure need 2U of valuable rack space. Use the following procedure to install UPS in a rack.

Rack-Tray → Rack-Ear →

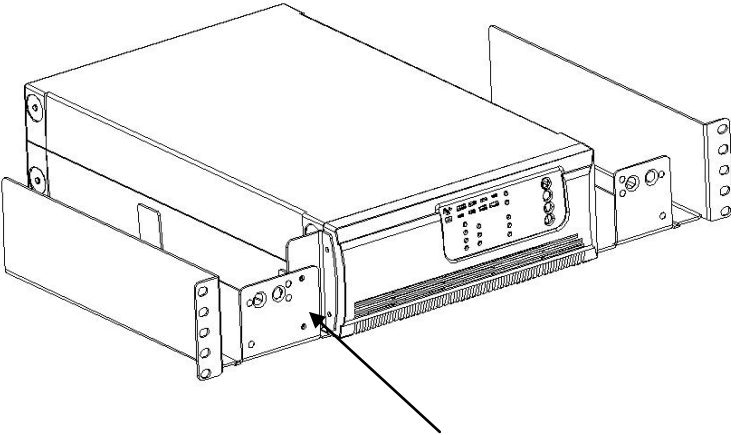
SN	Color	Spec	Sketch Map
①	Gray	483*260*77	
②	Gray	75*23*16	
③	Polychrome	M3*12	
④	Nickel Chrome Steel	M4*8	
⑤	Nickel Chrome Steel	M6*16	
⑥	Black	102*86*22	

750/1000VA (optional)

1. Mount the ②(1ea) onto UPS with ③(2ea) as a UPS sub-assembly.

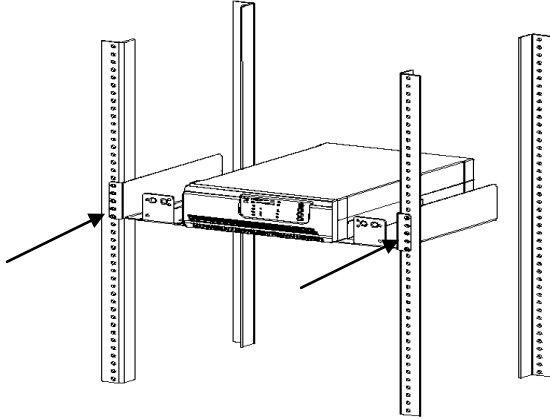


2. Lock UPS sub-assembly into ①(1ea) with ④(2ea) to get a UPS assembly.



INSTALLATION

3. Install UPS assembly with the ⑤(4ea or 6ea) provided, tightened up into rack enclosure.



4. Add up ⑥(2ea) for both sides. The load can be connected.

